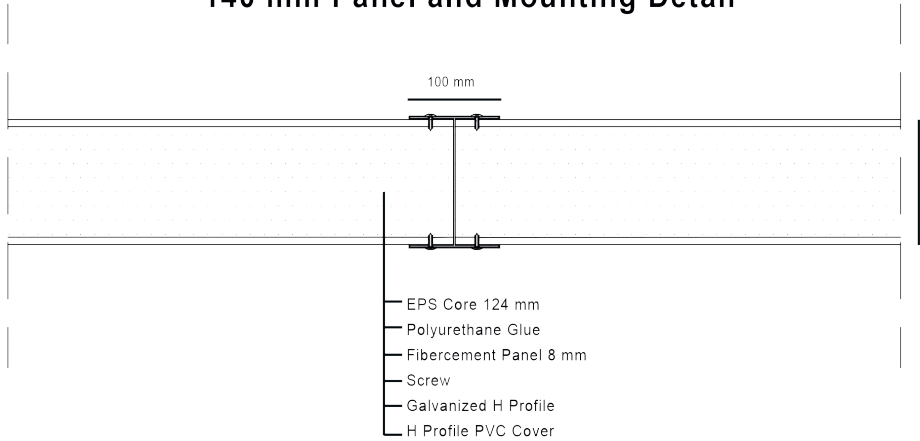
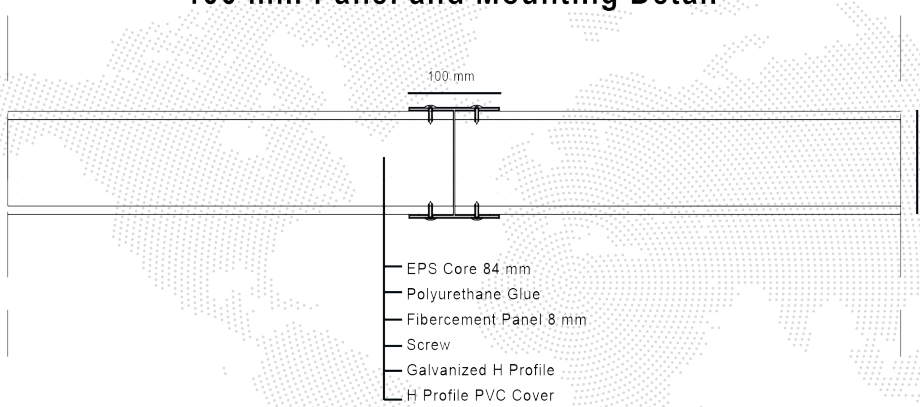


# ANNEX

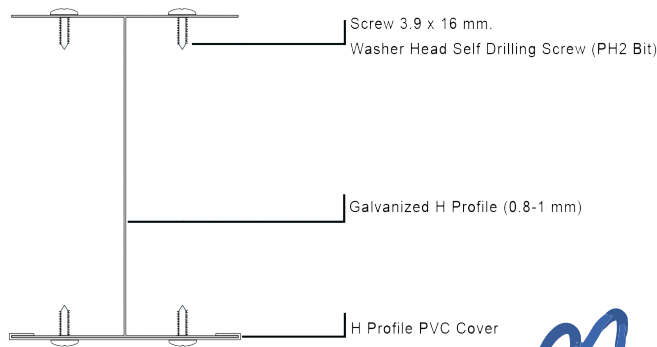
## 140 mm Panel and Mounting Detail



## 100 mm Panel and Mounting Detail



## Galvanized H Profile Detail



**EUROPEAN TECHNICAL APPROVAL**  
ETA-15/0355

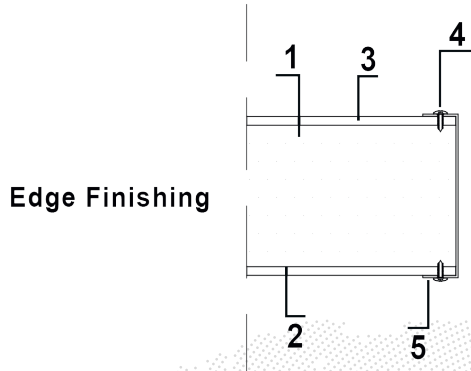


TNQ Academy Training Certification  
Testing and Conformity Assessment Inc.  
Certificate validity information  
certificate@tnqcert.com you can check at  
709 N. King Street  
Suite 260 Wilmington  
DE 19801  
Country : USA  
E-mail: certificate@tnqcert.com  
turkey@tnqcert.com

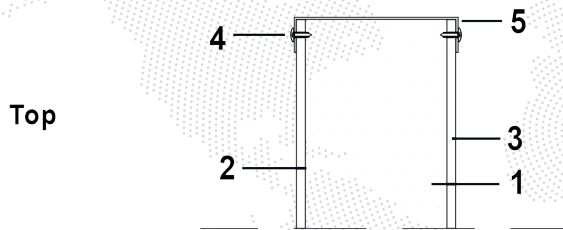


TECHNICAL NOTIFIED QUALITY

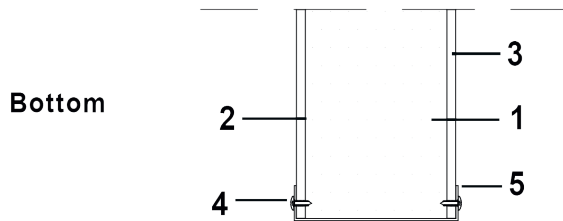
**Panel Edge Finishing, Top and Bottom Detail**



- 1) EPS Core
- 2) Polyurethane Glue
- 3) Fibercement Panel 8 mm
- 4) Screw
- 5) Galvanized H Profile



- 1) EPS Core
- 2) Polyurethane Glue
- 3) Fibercement Panel 8 mm
- 4) Screw
- 5) Galvanized H Profile



- 1) EPS Core
- 2) Polyurethane Glue
- 3) Fibercement Panel 8 mm
- 4) Screw
- 5) Galvanized H Profile



**EUROPEAN TECHNICAL APPROVAL**  
ETA-15/0355



TNQ Academy Training Certification  
Testing and Conformity Assessment Inc.  
Certificate validity information  
certificate@tnqcert.com you can check at  
709 N. King Street  
Suite 260 Wilmington  
DE 19801  
Country : USA  
E-mail: certificate@tnqcert.com  
turkey@tnqcert.com

